

0041209
0041208
0304470
0304472

0080150
0020300

0304454

0206720(Jumbo 35)
0206730(Jumbo 42)

0305505

0305000

0305015


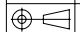
0330025

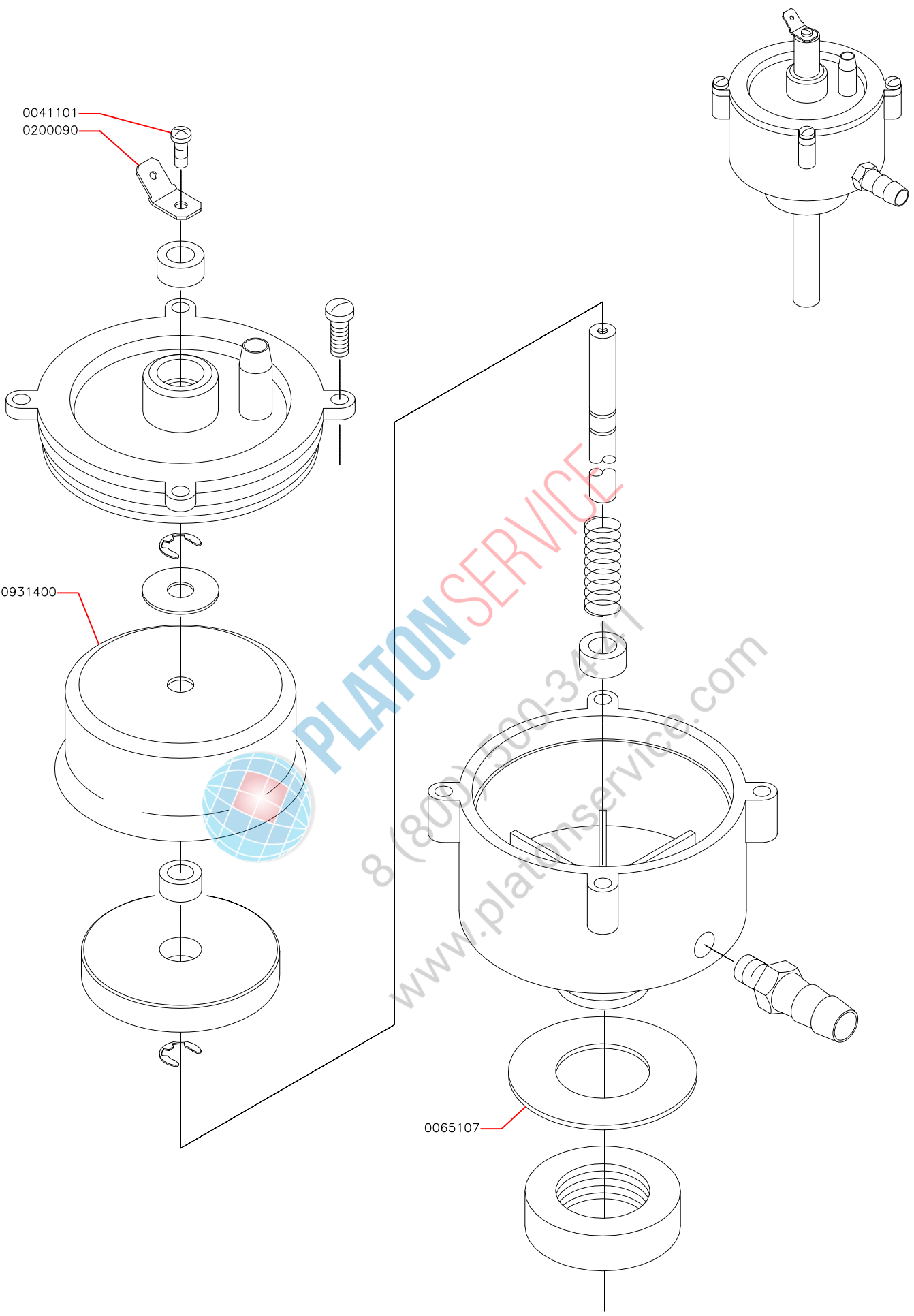
0304400
0330020(L)


0041510

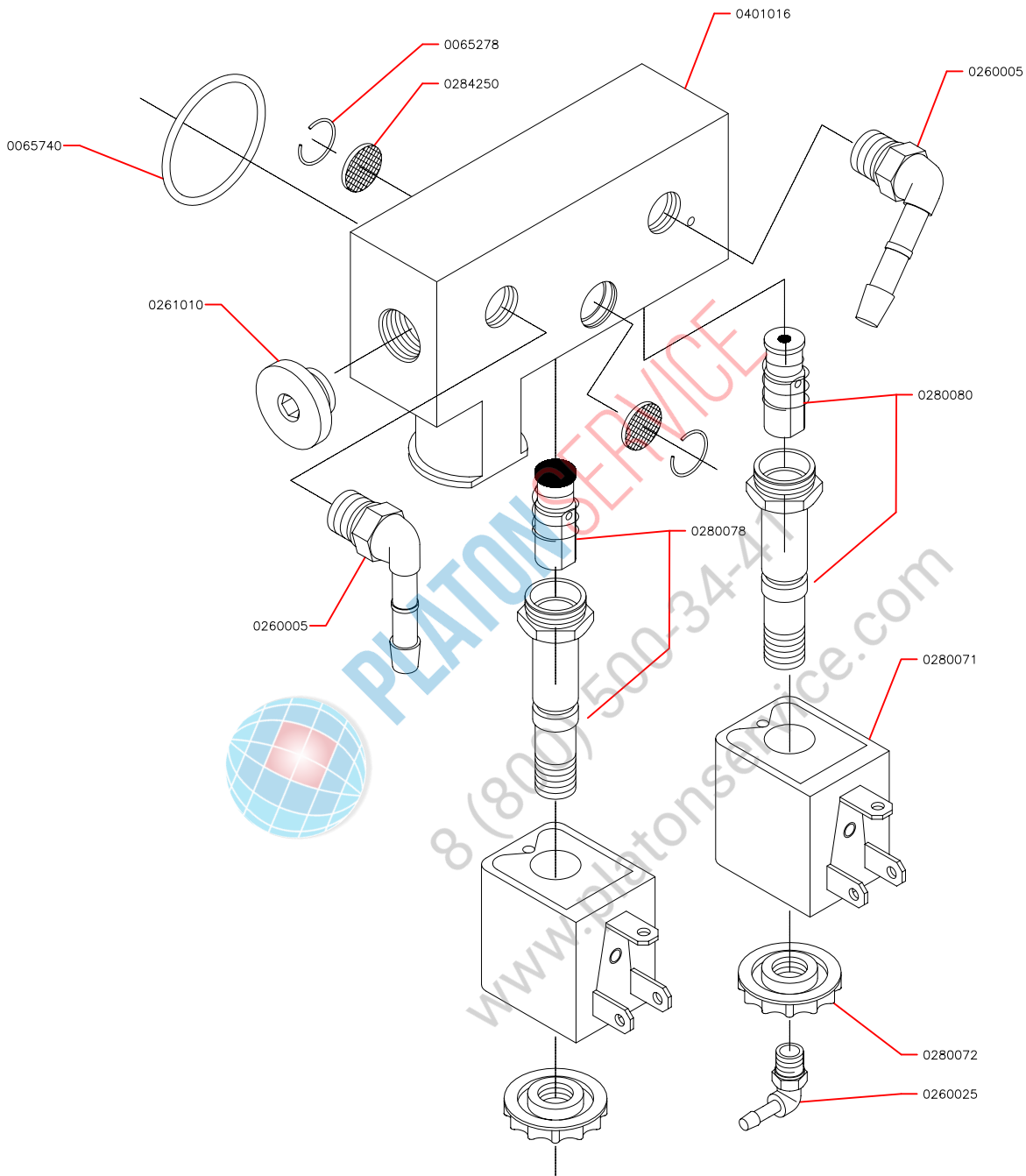
0330020(R)

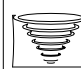
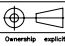
0381010(Jumbo 35)
0381015(Jumbo 42)

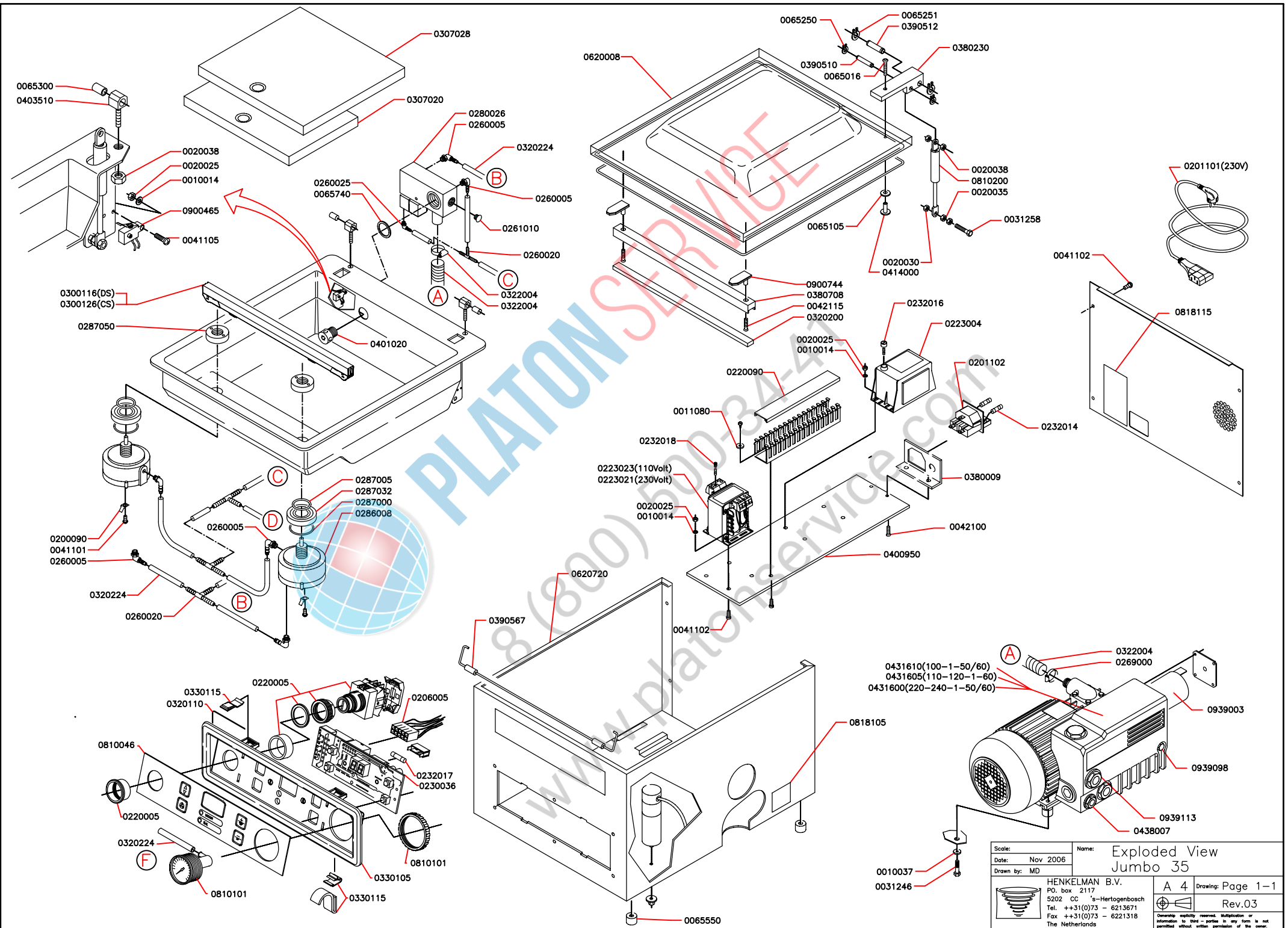
Scale:	Name:	Exploded View		
Date:	Dec 2004	Seal bar Jumbo 35 & 42		
Drawn by:	MD			
	HENKELMAN B.V.			
	P.O. box 2117			A 4 Drawing: Page 1-1
	5202 OC s-Hertogenbosch			REV. 01
	Tel. ++31(0)73 - 6213671			
Fax ++31(0)73 - 6221318		Ownership explicitly reserved. Multiplication or information to third parties in any form is not permitted without written permission of the owner.		
The Netherlands				




Scale:	Name:	Exploded View	
Date: April 2004	Seal cilinder Jumbo		
Drawn by: MD			
	HENKELMAN B.V.		A 4
	PO. box 2117		Drawing: Page 1-1
	5202 CC 's-Hertogenbosch		
	Tel. ++31(0)73 - 6213671		
Fax ++31(0)73 - 6221318		Ownership explicitly reserved. Multiplication or information to third parties in any form is not permitted without written permission of the owner.	
The Netherlands			



Scale:	Name:	Exploded View	
Date: Dec 2004	Valve Unit Jumbo 35/42		
Drawn by: MD			
 HENKELMAN B.V. P.O. box 2117 5202 CC 's-Hertogenbosch Tel. ++31(0)73 - 6213671 Fax ++31(0)73 - 6221318 The Netherlands	A 4	Drawing: Page 1-1	
	 Rev.01 <small>Ownership explicitly reserved. Multiplication or information to third parties in any form is not permitted without written permission of the owner.</small>		



Scale:	Name:	Exploded View	
Date:	Nov 2006	Jumbo 35	
Drawn by:	MD	A 4 Drawing: Page 1-1	
 HENKELMAN B.V. P.O. box 2117 5202 CC 's-Hertogenbosch Tel. ++31(0)73 - 6213671 Fax. ++31(0)73 - 6221318 The Netherlands		Rev.03 <small>Overname aansprakelijkheid, aansprakelijkheid of informatie te verspreiden in andere landen is niet toegestaan zonder schriftelijke toestemming van de afzender.</small>	